

## Cross spirit levels

for mounting with screws

### SPECIFICATION

#### Sensitivity

- **6**: Angle minutes, bubble move by 2 mm
- **50**: Angle minutes, bubble move by 2 mm

#### Types

- Type **AV**: aligned, mounting from the front side (not adjustable)
- Type **JV**: adjustable, mounting from the front side

#### Housing

Aluminum  
anodized, natural color **ALN**  
anodized, black **ALS**

Spirit level element  
Glass body

Filling  
green-transparent **G**

Casting compound  
mineral-based

### INFORMATION

Cross spirit levels GN 2276 are used to check the horizontal position of jigs, machines, devices, appliances and instruments.

The spirit levels of type AV are aligned in relation to the reference surface so that the bubbles are centered in the middle of the marking lines once the horizontal position of the contact surface is reached.

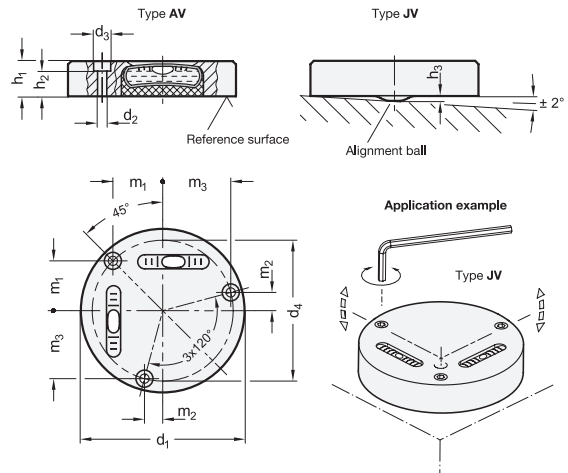
The spirit levels of type JV are aligned using the fastening holes that are offset by 120°.

An alignment ball on the bottom serves as a pivot point. With careful tightening, it is possible to achieve an alignment that places the bubbles between the middle marking lines.



### ON REQUEST

- Filling, colorless-transparent
- Other sensitivities



### GN 2276-AV

Description	d1	d2	d3	d4	h1	h2	m1	m2	m3	⚖
GN 2276-ALN-62-G-6-AV	62	3.4	6.3	52	13	9.8	18.4	6.7	25.1	95
GN 2276-ALS-62-G-6-AV	62	3.4	6.3	52	13	9.8	18.4	6.7	25.1	95
GN 2276-ALN-62-G-50-AV	62	3.4	6.3	52	13	9.8	18.4	6.7	25.1	95
GN 2276-ALS-62-G-50-AV	62	3.4	6.3	52	13	9.8	18.4	6.7	25.1	95

### GN 2276-JV

Description	d1	d2	d3	d4	h1	h2	h3	m1	m2	m3	⚖
GN 2276-ALN-62-G-6-JV	62	3.4	6.3	52	13	9.8	1	18.4	6.7	25.1	95
GN 2276-ALS-62-G-6-JV	62	3.4	6.3	52	13	9.8	1	18.4	6.7	25.1	95
GN 2276-ALN-62-G-50-JV	62	3.4	6.3	52	13	9.8	1	18.4	6.7	25.1	95
GN 2276-ALS-62-G-50-JV	62	3.4	6.3	52	13	9.8	1	18.4	6.7	25.1	95